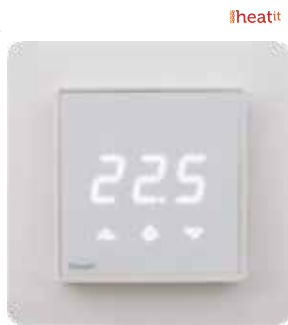


HEATIT Z-WAVE



heatit

54 304 99

HEATIT Z-WAVE
White RAL 9003



heatit

54 304 46

BLACK PLASTIC KIT
Black RAL 9011

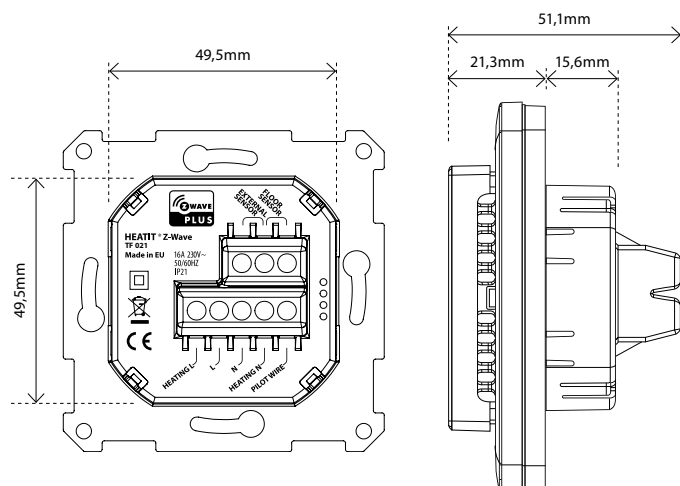
Design matching the Schneider Exact®-series.

Heatit Z-Wave is an electronic thermostat for floor heating, mounted in a standard wall box. The thermostat has a built-in Z-Wave chip that can be connected with Home Automation systems.

Heatit Z-Wave is equipped with a single pole switch and fits into System 55 frames. The thermostat can withstand a load of max 16A / 3600W at 230V. At higher loads the thermostat must control a contactor. The thermostat can be connected to two external sensors.

The thermostat has the capacity of up to 8 associations (relays, wall plugs etc.)

The thermostat is designed for electrical heating.



PRODUCT INFO Heatit Z-Wave

FEATURES

- Floor sensor
- External room sensor (connected by cable)
- Internal room sensor
- Temperature limiter
- Power regulator
- Weekly program/setback mode via gateway
- LED-diode
- Can be used in connection with different NTC-sensors
- Lock mode/child lock
- Calibration
- 8 associations

TECHNICAL DATA

Protocol	Z-Wave - 868,4Mhz
Chip	Z-Wave 500 chip
Rated voltage	230V 50/60Hz
Max load	3600W (resistive load) 750W self-limiting heating cable
Max current	16A
Power consumption	<1,5W
Min/Max installation temp.	-20°C - 40°C
Min/Max operating temp.	5°C - 40°C
Temperature intervals	Floor sensor 5°C - 40°C External room sensor 5°C - 40°C
Hysteresis	0,3°C - 3,0°C (default 0,5°C)
Switch	Single-pole switch
Included in package	Floor sensor, Art.no. 54 301 07
Compatible with NTC sensors with values	10, 12, 15, 22, 33 and 47 kΩ @ 25°C
IP Code	IP 21
Approvals	Z-Wave Plus CE EN 60730-1, EN 60730-2-9 EMC 2014/30/EU, RoHS 2011/65/EU LVD 2014/35/EU

TERMINAL

Use 1,5mm² or 2,5mm² according to load.

WARRANTY

2 years

ART. NO.	PRODUCT	COLOR	Z-WAVE FREQUENCY
54 304 99	Heatit Z-Wave thermostat 3600W 16A	White RAL 9003	EU 868,4MHz
54 304 46	Plastic kit for Heatit (front and frame)	Black RAL 9011	
54 301 07	Floor sensor Ø 4mm 3 meters NTC 10 kΩ		
54 301 08	Floor sensor Ø 3mm 6 meters NTC 10 kΩ		
54 301 27	External enclosed sensor IP 20/54		
54 304 97	Cable for software update on thermostat		

The product is also available in other Z-Wave frequency versions on request.

Product specifications may change without further notice. All electrical installations must be carried out by a licensed electrician. The product must be installed in accordance with national building codes and our installers manual.