

PRODUCT INFO Heatit Z-Water

FEATURES

- Regulator for water based heating systems
- Relay outputs can control actuators in a water based floor heating system
- May be used to control both 24V actuators and 230V actuators
- Inputs may be configured to serve many purposes, either as digital or analog inputs
- May be used with a Heatit Z-Temp2 or Heatit Z-TRM3 thermostat in each zone
- DIN-rail mounting
- Works as a Z-Wave repeater to improve the Z-Wave network range
- Firmware updates (OTA)
- Supports encryption mode: S0, S2 Authenticated Class, S2 Unauthenticated Class

This product is a security-enabled Z-Wave Plus product with encryption. The product must be used with a security-enabled Z-Wave Controller in order to fully utilize the product.

TECHNICAL DATA

Protocol	Z-Wave, 868,4MHz
Chip	Z-Wave 500 chip
Rated voltage	100V - 240V 50/60Hz
Power consumption	0.6W standby
Ambient temperature	0°C to 40°C
Humidity	Max. 90% RH
Fuse	3.15A Quick-Acting, UMF 250 Schurter Inc., part no.: 3405.0171.11
24V DC output	Maximum 1.17A, 28W
Max. switching current	5A
Max load per relay	150W
Max voltage	250V AC, 30V DC
Inputs	Max. input voltage: 10V DC Input impedance: 10 KΩ Loop output voltage: 5V DC
Size (LxHxW)	160 x 86 x 58mm

Approvals Z-Wave Plus
CE, EN 50491-3: 2009, EN 60669-2: 2004, EMC 2014/30/EU, RoHS 2011/65/EU, LVD 2014/35/EU

MAINTENANCE

The device is maintenance-free.

WARRANTY

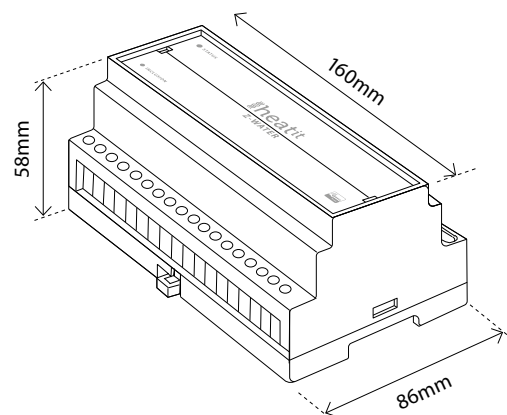
2 years

HEATIT Z-WATER

- Regulator for water based heating systems



Heatit Z-Water is a DIN-rail regulator for controlling hydronic heating. The module clips right onto a DIN-rail to add a variety of functions to your wireless Z-Wave network. Heatit Z-Water is equipped with 10 relay outputs and it has 4 analog inputs. The module is power supplied from a 230V AC mains connection and is able to deliver an output supply of 24V DC or 230V. Heatit Z-Water relay outputs may be freely controlled from the Z-Wave network, and may be used for several purposes, e.g. on/off control of lights, controlling valve actuators in an underfloor heating system, or controlling other home automation systems.



ART. NO.	PRODUCT	Z-WAVE FREQUENCY
45 124 75	Heatit Z-Water - regulator for water based heating systems	EU 868,4MHz
45 126 66	Heatit Z-Temp2 thermostat - battery White RAL 9003	EU 868,4MHz
54 305 99	Heatit Z-TRM3 thermostat 3600W 16A White RAL 9003	EU 868,4MHz