

PRODUCT INFO Heatit Z-Smoke Detector



FEATURES

- Multifunctional smoke detector
- 230V
- Smoke Detection
- Heat Detection
- Serial connection capability (via gateway)
- Built-in motion sensor
- Built-in temperature sensor
- Built-in emergency lighting
- Battery back-up
- Mute button to silence unwanted alarms
- Tamper switch
- Firmware update (OTA)
- Supports encryption mode S0, S2 Unauthenticated Class

This product is a security-enabled Z-Wave Plus product with encryption. The product must be used with a security-enabled Z-Wave Controller in order to fully utilize the product.

TECHNICAL DATA

Protocol	Z-Wave
Chip	Z-Wave 500 chip
Rated voltage	230V AC 50Hz
	200mAh, NiMH back-up battery
Power consumption	2,2W
Temperature sensitivity	±1°C
Alarm	85dB at 3 meters distance
Smoke sensor	Photoelectric
Ambient temperature	0°C to 50°C
Humidity	Max. 85% RH
Range, PIR	Up to 8m at 3m mounting height
IP Code	IP 20
Size (LxWxH)	105mm x 105mm x 41mm (ex. adapter)
Approvals	Z-Wave Plus CE, RoHS, EN 14604:2005, 14604/AC:2008

MAINTENANCE

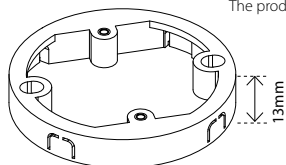
The product should be tested regularly. Vacuum or blow the dust off the smoke detector regularly. The smoke detector must be replaced every 10 years.

WARRANTY

2 years

ART. NO.	PRODUCT	Z-WAVE FREQUENCY
45 126 89	Heatit Z-Smoke Detector 230V - multifunctional Smoke Detector	EU 868,4MHz

The product is also available in other Z-Wave frequency versions on request.



Spacing adapter for mounting on ceiling. Included in package.

HEATIT Z-SMOKE DETECTOR

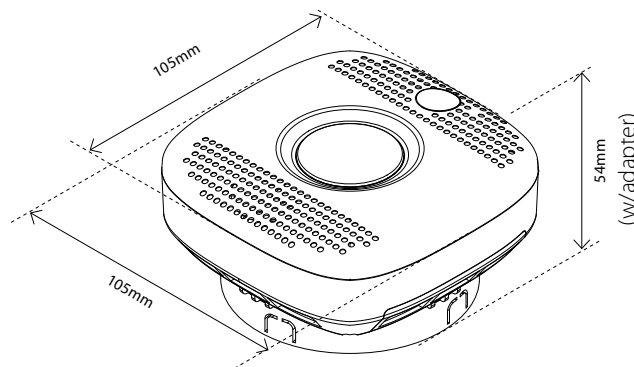
-multifunctional smoke detector



The Heatit Z-Smoke Detector is a multifunctional smoke sensor for smart home systems. With its powerful features, the sensor is designed to protect the family from potential fire hazards. With its compact and streamlined design, the Heatit Z-Smoke Detector blends effortlessly with your home decor and gives you extra security.

The Heatit Z-Smoke Detector is designed to provide the sensor with more features and capabilities. Therefore, you can use optional additional features such as a built-in PIR motion sensor, temperature sensor and/or emergency lighting. Heatit Z-Smoke Detector has a built-in PIR motion sensor. You can choose to use it to create custom scenes to light up the hallway in the middle of the night or help users save energy. The built-in emergency light can also be set up to provide visual alarms and alerts.

The Heatit Z-Smoke Detector uses a cutting-edge reflective photoelectric sensor in conjunction with an advanced microprocessor to deliver optimum performance by detecting developing fires and heat generation. When it comes to security, there is no room for compromise.



Product specifications may change without further notice. All electrical installations must be carried out by a licensed electrician. The product must be installed in accordance with national building codes and our installers manual.