

# HEATIT Z-PUSH WALL CONTROLLER

- Battery operated wall switch

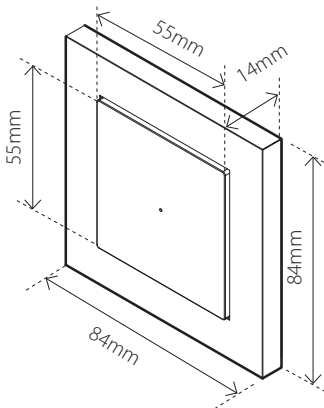


The Heatit Z-Push Wall Controller is a wireless wall mounted Z-Wave Controller. It has mounting options for 1, 2 or 3 rockers, allowing for easy and practical management of your Z-Wave products. The switch can be set up to control scenarios or work in association with other Z-Wave products. Each rocker switch has a dual color LED to indicate button actions.

The Wall Controller is coin cell battery powered. The product is intended primarily for residential applications.

Heatit Z-Push Wall Controller has SmartStart. This feature allows the user to include all devices with SmartStart by scanning the QR codes on the devices. On startup all the devices will automatically be included in the gateway (requires SmartStart compatibility).

The product comes in a matte finish. Fits System 55 frames.



The Heatit Z-Push Wall Controller is supplied with all the three sets of rockers in the box.

## PRODUCT INFO Heatit Z-Push Wall Controller

### FEATURES

- Wireless battery operated wall switch
- Designed for controlling lights, blinds, relays, dimmers etc.
- Fits System 55 frames
- SmartStart
- Controls up to 3 separate groups and 5 devices per group
- 10 scene triggers per rocker
- Easy to install with screws or double-sided adhesive tape
- Firmware update (OTA)
- Supports encryption modes S0, S2 Authenticated Class, S2 Unauthenticated Class

This product is a security-enabled Z-Wave Plus product with encryption. The product must be used with a security-enabled Z-Wave Controller in order to fully utilize the product.

### TECHNICAL DATA

<b>Protocol</b>	Z-Wave
<b>Chip</b>	Z-Wave 700 chip
<b>Battery</b>	1 x CR2450 battery
<b>Battery life</b>	Aprox 1 year with default settings and max 10 interactions per day.
<b>Buttons</b>	1, 2 or 3 rockers
<b>Ambient temperature</b>	5°C to 40°C (0°C to 40°C storage)
<b>Humidity</b>	Max 95% RH
<b>Range RF</b>	Min. 40 meters
<b>IP Code</b>	IP 20
<b>Size (LxWxH)</b>	55 x 55 x 14mm

**Approvals** Z-Wave Plus V2, CE  
RoHS 2002/95/EC, 2002/96/EC (WEEE), 1999/5/EC (RTTE)

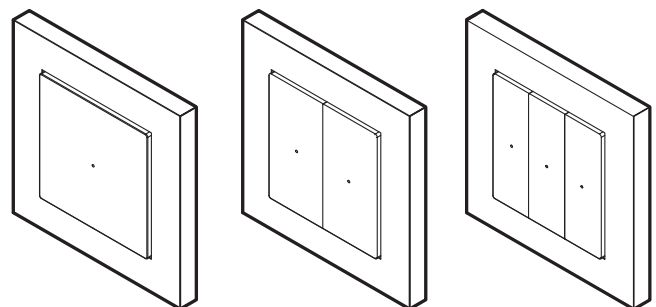
### MAINTENANCE

The device is maintenance-free. Indoor installation.

### WARRANTY

2 years

ART. NO.	PRODUCT	COLOR	FREQUENCY
45 126 94	Heatit Z-Push Wall Controller	Black	EU 868,4MHz
45 126 68	Heatit Z-Push Plastic Kit	Black	
99 305 30	Heatit Z-Push Wall Controller	Black	RUS 869,0MHz
99 305 31	Heatit Z-Push Wall Controller	Black	AUS 921,4MHz



Product specifications may change without further notice. All electrical installations must be carried out by a licensed electrician. The product must be installed in accordance with national building codes and our installers manual.