

HEATIT Z-PUSH BUTTON 2

- Battery operated wall switch



Heatit Z-Push Button 2 is a battery operated wall switch with 2 push buttons. The switch enables you to control the Z-Wave-products in your smart home system. Managing your Z-Wave products becomes easy and practical. The switch can be set up to control scenarios or work in associations with other Z-Wave products.

Heatit Z-Push Button 2 can control 1 association group with up to 5 products or 4 scenarios through your gateway.

Heatit Z-Push Button 2 may not be used as a stand-alone unit; it must be included in a gateway to function.

The switch fits into System 55 frames.

The switch is easy to install, and may be fastened with screws or double-sided tape.

PRODUCT INFO Heatit Z-Push Button 2

FUNCTIONS

- Battery operated wall switch
- Fits Gira System 55
- Controls 1 group and up to 5 units
- Controls 4 scenarios via your gateway
- LED-diode
- Easy to install with screws or double-sided tape
- Supports encryption modes S0, S2 Authenticated Class, S2 Unauthenticated Class

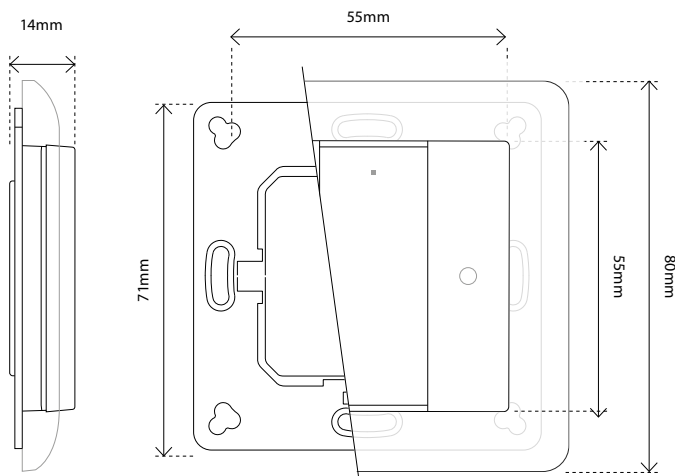
This product is a security enabled Z-Wave Plus product with encryption. The product must be used with a security enabled Z-Wave Controller in order to fully utilize the product.

TECHNICAL DATA

Protocol	Z-Wave, 868,4MHz
SDK	6.71.01
Chip	Z-Wave 500 chip
Power	1 x CR2450 battery
Buttons	2
Operating temperature	0 - 40°C
Relative humidity	8% - 80%
Range	Up to 20 meters (depending on surroundings)
IP Code	IP 20
Size (LxWxH)	71,2 x 71,2 x 13,6 mm
Explorer Frame Support	Yes
Device Type	Wall controller
Generic Device Class	Switch Remote
Specific Device Class	Switch Remote Multilevel
Routing	No
Flirs	No
Approvals	CE RoHS 2011/65/EU

WARRANTY

2 years



ART.NO.	PRODUCT	Z-WAVE FREQUENCY
45 125 80	Heatit Z-Push Button 2 - battery operated wall switch	EU 868,4MHz
45 126 80	Heatit Z-Push Button 2 Black - battery operated wall switch	EU 868,4MHz

Product specifications may change without further notice. All electrical installations must be carried out by a licensed electrician. The product must be installed in accordance with national building codes and our installers manual.