

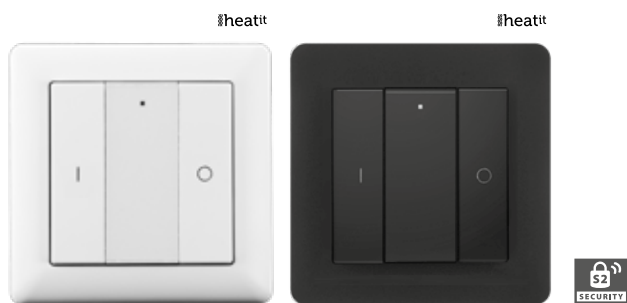
HEATIT Z-PUSH BUTTON 2



Norwegian version
Download
manuals.thermo-floor.no
www.thermo-floor.no

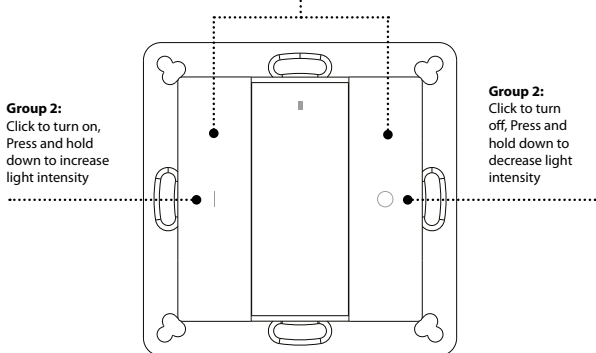
Installers manual

01.05.2019 Ver 2019-A



IMPORTANT PLEASE READ THIS BEFORE INSTALLATION

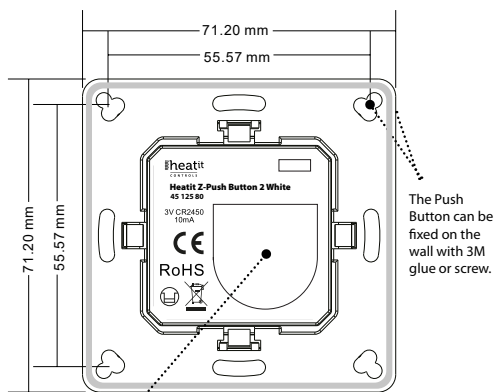
Press and hold down both keys together for 3s to be added to or removed from Z-Wave network by Z-Wave master (primary) controller.



Group 1:
Click to turn on.
Press and hold down to increase light intensity

Group 2:
Click to turn off.
Press and hold down to decrease light intensity

Front side



The Push Button can be fixed on the wall with 3M glue or screw.

Back side

Battery: CR 2450
Before the first use, please remove the protective film



11mm

SAFETY & WARNINGS

- This device contains a button lithium battery that must be stored and disposed of properly.
- DO NOT expose the device to moisture.

QUICK START

- Step 1: Turn on your Push Button.
- Step 2: Activate adding mode on your Z-Wave controller.
- Step 3: Activate adding mode of your Push Button by pressing and holding down both I and O of Group 2 for 3 seconds.

PRODUCT DESCRIPTION

The Heatit Push Button is a Z-Wave device that can both control other Z-Wave devices and activate scenes in Gateways. Although it is controlling other devices, the Push Button cannot act as Z-Wave network controller (primary or secondary) and will always need a Z-Wave network controller to be added into a Z-Wave network. It also supports the Over The Air (OTA) feature for the products firmware upgrade.

The Push Button has following functions:

- Control of groups of other Z-Wave devices using ON, OFF and Dim commands.
- Activation of scenes in Gateway mode.

The encryption modes that the Push Button supports are S0, S2 Authenticated and S2 Unauthenticated. When the Push Button is being added to a Z-Wave network, you can use your primary controller/gateway to enable encryption mode or disable encryption. (The primary controller/gateway must support encryption mode configuration).

INSTALLATION GUIDE

Please read carefully the enclosed user manual before installing the Push Button, in order to ensure error-free operation. The Heatit Push Button unit comes as a complete set for flush mounting in standard European wall boxes with a 60mm diameter.

ADDING TO A Z-WAVE NETWORK

Step 1. Make sure the device does not belong to any Z-Wave network by pressing any button once. If the LED indicator does not turn on, the Push Button does not belong to any network, and you may continue to step 2. If the LED indicator turns on, it means that the Push Button has already been added to a network. You must then run the removal process (see "Removing from a Z-Wave network" in this guide) before moving on to step 2.

Step 2. Set primary controller/gateway to adding mode (Please refer to your primary controller manual on how to set your controller to adding mode).

Step 3. Press and hold down both buttons I and O of Group 2 for 3 seconds. The LED indicator turns on, the Push Button will be set to adding mode, and stand by to be added to the network. After 10s the LED indicator blinks 6 times quickly to indicate that the addition has been successful.

The Heatit Push Button is a sleeping device. After adding it to the network, it will not enter into sleep mode immediately, but will maintain activation status for 30s while completing the addition process. The LED indicator will stay on for this time, so please be patient and wait for the LED indicator to turn off.

REMOVING FROM A Z-WAVE NETWORK

There are two removing methods:

Method 1: Removing from the primary controller/gateway:

1. Set the primary controller/gateway to removing mode. (Please refer to your primary controller manual on how to set your controller to removing mode).
2. Press and hold down both buttons I and O of Group 2 for 3 seconds, LED indicator turns on, the Push Button will be set to removing mode, and stand by to be removed. After 7s the LED indicator blinks 4 times quickly to indicate successful removal.

Method 2: A factory reset of the Push Button will force the Push Button to be removed from a network. (Please refer to the part "Factory Reset" of this manual).

Note: Factory reset is not recommended for removing devices. Please use this procedure only if the primary controller/gateway is missing or otherwise inoperable.

HOW TO CHECK IF THE PUSH BUTTON HAS ALREADY BEEN ADDED TO A NETWORK

Press any button once. If the LED indicator does not turn on, the Push Button does not belong to any network. If the LED indicator turns on, it means that the Push Button has already been added to a network. You must then run the removal process (see "Removing from a Z-Wave network" in this guide) before adding the device to your network.

FACTORY RESET

Press and hold down both buttons I and O of Group 2 for a minimum of 10 seconds until the LED indicator turns on and then blinks 4 times quickly to indicate successful factory reset.

ASSOCIATION

Z-Wave devices control other Z-Wave devices. The relationship between one device controlling another device is called association. In order to control a subordinate device, the controlling device needs to maintain a list of devices that will receive controlling commands. These lists are called "Association Groups" and are activated when specific events are registered (e.g. sensor reports). In the case of an association group being triggered, all devices stored in the respective association group will receive a common wireless command.

ASSOCIATION GROUPS

Each group supports maximum 5 nodes for association. A single device may be associated with multiple groups in the gateway simultaneously. In order to optimize your control experience, the gateway will automatically remove devices that are not in operational status in their association groups at the time.

ASSOCIATION GROUPS	GROUP NAME	MAX NODES	DESCRIPTION
Group 1	Lifeline.	5	<p>1. Send Command Class "Device Reset Locally Notification V1" to associated devices of this group to report factory reset information when factory reset the Push Button.</p> <p>2. When Push Button battery power value changes, send Command Class "Battery Report V1" to associated devices of this group to report power value information.</p> <p>3. Short press/press and hold any button to send scene activation command to the associated devices of this group using Command Class "Central Scene Notification V3"</p>
Group 2	Launch 1	5	<p>Short press I/O button of Group 2 to send ON/OFF command to associated devices of this group using Command Class "Basic Set V2".</p> <p>Press and hold down I/O button of Group 2 to send light intensity increase/decrease command to associated devices of this group using Command Class "Multilevel V4".</p>

SETTING AND REMOVING ASSOCIATIONS

(Note: All association information will be cleared automatically once the device is excluded from the network.)

There are two methods to set associations:

1. Set association by operating primary controller/gateway to send the association command to the Push Button:

When setting association from the primary controller/gateway, the Push Button must be activated first. If it is not activated, you should activate it manually.

The primary controller/gateway sends an association command to the device using "Command Class ASSOCIATION" or "Command Class Multi Channel Association"

2. Set association using the Push Button and the devices that are to be controlled.

To control a Z-Wave device from the Push Button, the node ID of this device needs to be assigned to one of the two association groups. This is a three-step process:

- a. Press and hold down both buttons I and O of Group 2 for 3 seconds until the LED indicator turns on.
- b. Push the I-button of any group once within 7s to associate the device to this group. Push the O-button of any group once within 7s to remove association of the device from this group.
- c. Operate the device to be controlled to send Node Information Frame (please refer to the device manual) within 10 seconds, or set the device to exclusion mode within 10 seconds, since it will send Node Information Frame in exclusion mode, LED indications are as follows:

- LED blinks twice to indicate that the Push Button failed to add the associated device (the association group has already added maximum quantity associated devices that it supports).

- LED blinks 5 times to indicate that the Push Button added the associated device successfully.

- LED blinks 8 times to indicate that the Push Button removed the associated device successfully.

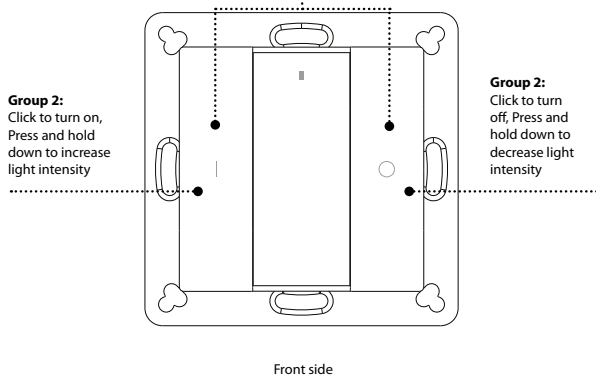
TO REMOVE ALL ASSOCIATED DEVICES IN AN ASSOCIATION GROUP IN THE PUSH BUTTON DIRECTLY:

1. Press and hold down both buttons I and O of Group 2 over 3 seconds, LED indicator turns on.

2. Click **OFF** button of any group on the Push Button 5 times continuously within 7 seconds to remove all associated devices of this group, LED indicator blinks 8 times to indicate that the associated devices are removed successfully.

OPERATING THE DEVICE

Press and hold down both keys together for 3s to be added to or removed from Z-Wave network by Z-Wave master (primary) controller.



- Push any button once, or press and hold down any button to send scene activation command to association Group 1 using Command Class "Central Scene Notification V3".

- Push I-/O-button of Group 2 once, to send ON/OFF command to all associated devices of Association Group 2.

- Press and hold down I-/O-button of Group 2, to send light intensity increase/decrease command to all associated devices of Association Group 2.

How to communicate with the device

The Heatit Push Button is in sleep mode most of the time to save battery power. It can not receive wireless commands when in sleep mode. Before the gateway may interact with the Push Button, the device must be activated manually first. Push any button once to activate the Push Button for 3s, and press and hold down both the I- and O-buttons of Group 2 for 1 second to activate the Push Button for 7s.

Node Information Frame

The Node Information Frame is the business card of a Z-Wave device. It contains information about the device type and the

technical capabilities. The add and remove procedure of the device is confirmed by sending out a Node Information Frame. Besides this, it may be necessary for certain network operations to send out a Node Information Frame.

How to send out Node Information Frame:

Set the Push Button to adding/removing mode: Press and hold down both I- and O-buttons of Group 2 for 3 seconds. The LED indicator turns on to indicate that the Push Button has already sent out a Node Information Frame. The user may repeat the operation to turn the adding/removing mode off.

PRODUCT INFO Heatit Z-Push Button 2

- Battery operated wall switch with 2 push buttons
- Fits Gira System 55, Elko RS-16 and Schneider Exxact frames
- Controls 1 group and up to 5 units
- Controls 4 scenarios via your gateway
- LED-diode
- Easy to install with screws and double-sided tape
- Firmware update (OTA)
- Supports encryption mode: S0, S2 Authenticated Class, S2 Unauthenticated Class

Protocol	Z-Wave, 868,4MHz
SDK	6.71.01
Chip	Z-Wave 500 chip
Rated voltage	1 x CR 2450 battery
Push Button	2
Min/max install. temp.	0 - 40°C
Relative humidity	8% - 80%
Network range	Up to 20 meters (depending on surroundings)
IP Class	IP 20
Size LxWxD	71,2 x 71,2 x 13,6mm
Explorer Frame Support	Yes
Device Type	Wall controller
Generic Device Class	Switch Remote
Specific Device Class	Switch Remote Multilevel
Routing	No
Flirs	No
Approvals	CE RoHS 2011/65/EU

COMMAND CLASSES

Supported Command Classes

- COMMAND_CLASS_ZWAVEPLUS_INFO_V2
- COMMAND_CLASS_ASSOCIATION_V2
- COMMAND_CLASS_MULTI_CHANNEL_ASSOCIATION_V3
- COMMAND_CLASS_CENTRAL_SCENE_V3
- COMMAND_CLASS_ASSOCIATION_GRP_INFO_V1
- COMMAND_CLASS_TRANSPORT_SERVICE_V2
- COMMAND_CLASS_VERSION_V2
- COMMAND_CLASS_MANUFACTURER_SPECIFIC_V2
- COMMAND_CLASS_DEVICE_RESET_LOCALLY_V1
- COMMAND_CLASS_FIRMWARE_UPDATE_MD_V4
- COMMAND_CLASS_POWERLEVEL_V1
- COMMAND_CLASS_BATTERY_V1
- COMMAND_CLASS_SECURITY_V1
- COMMAND_CLASS_SECURITY_2_V1
- COMMAND_CLASS_WAKE_UP_V2
- COMMAND_CLASS_SUPERVISION_V1

Controlled Command Classes

- COMMAND_CLASS_CENTRAL_SCENE_V3
- COMMAND_CLASS_BASIC_V2
- COMMAND_CLASS_SWITCH_MULTILEVEL_V4
- Multi Channel V3
- Security_V1
- Security_2_V1

ART. NO.	PRODUCT	Z-WAVE FREQUENCY
45 125 80	Heatit Z-Push Button 2 White - battery operated wall switch	EU 868,4MHz
45 126 80	Heatit Z-Push Button 2 Black - battery operated wall switch	EU 868,4MHz

Heatit Controls AB can not be held liable for typographical errors, other errors or omissions in our information.

Product specifications may change without further notice.

All electrical installations must be carried out by a licensed electrician.

The product must be installed in accordance with national building codes and our installers manual.